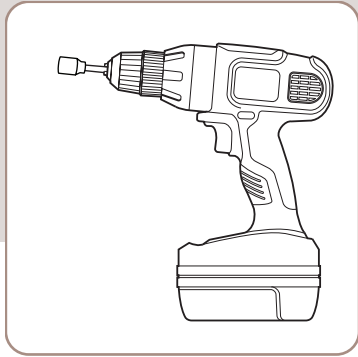




Pergola Kit Instructions

*Share your project
with us
@bjornwoodworks*

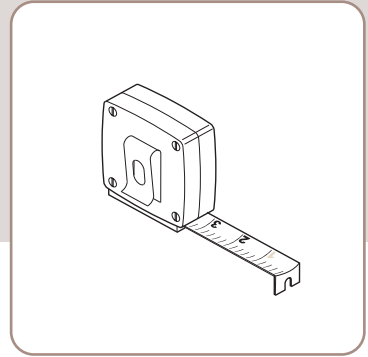




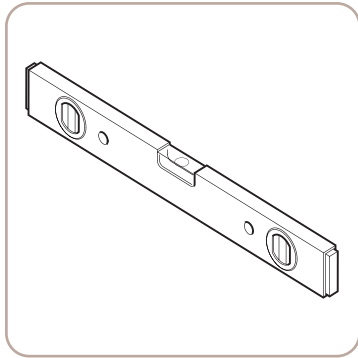
Drill with 7/16" Socket Bit



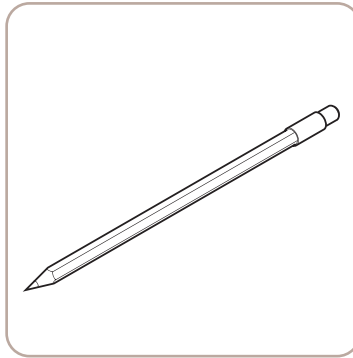
1/8" Wood Drill Bit



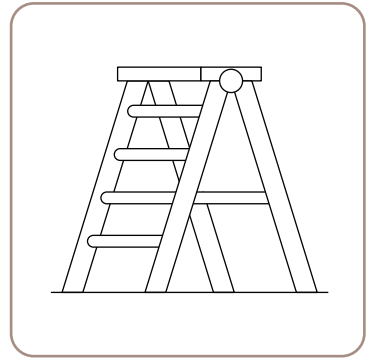
Tape Measure



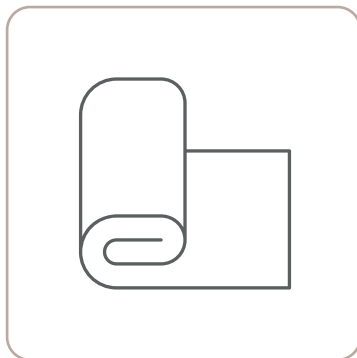
Level



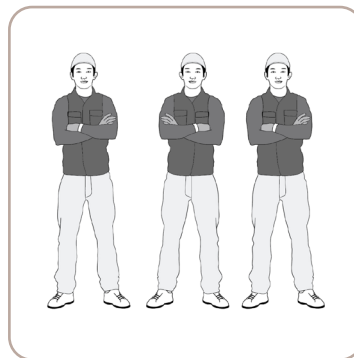
Pencil



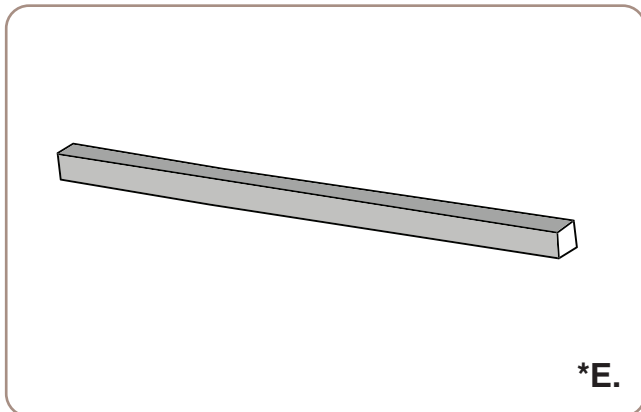
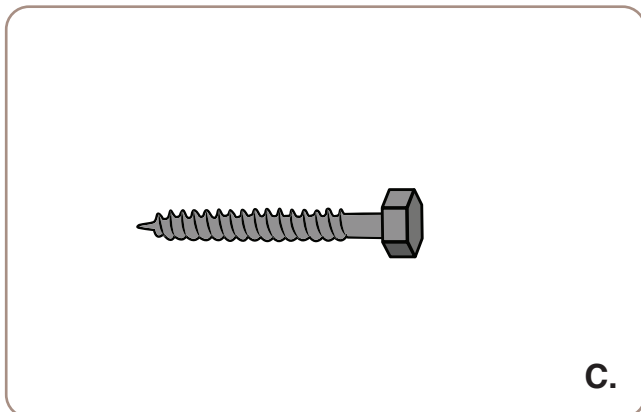
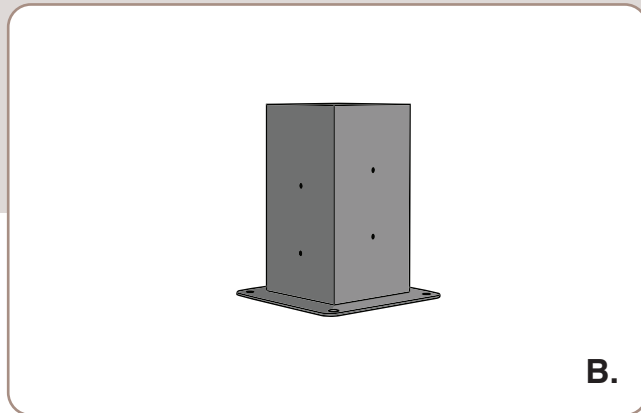
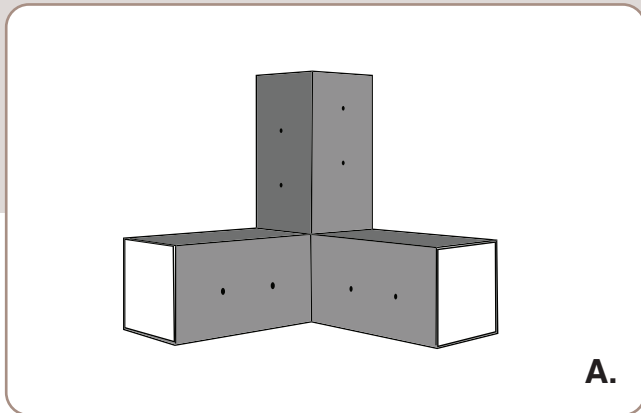
Step Ladder



Tarp or Rug



Three People

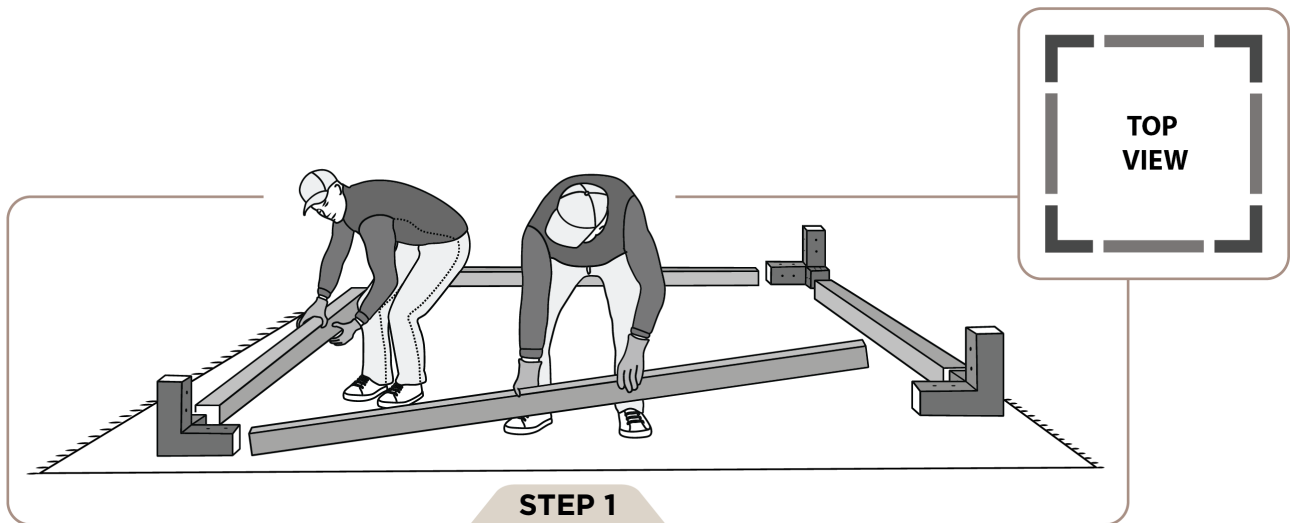


PARTS

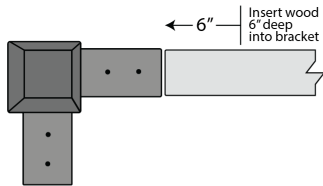
- A. Shoulder Bracket
- B. Boot
- C. Hex Head Lag Bolt 2"
- D. Sun Shade Mounting Bracket
- E. 4x4 Lumber
- * Not Included (must be purchased separately)

NOTE

Get lumber at your local hardware store. For recommendations on installations involving concrete or other substrates, see the end of this installation guide.

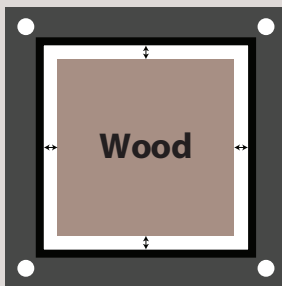


Lay out the rug or tarp so you don't scratch or mar your parts. Then place your parts as shown in the Top View.



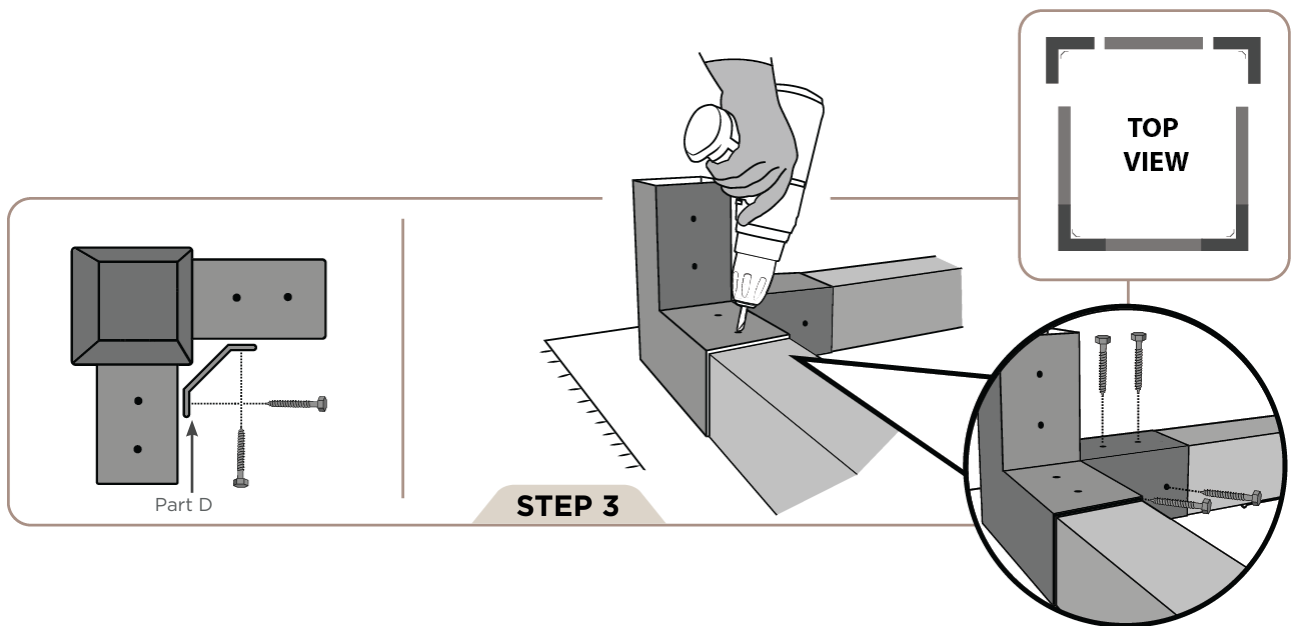
Using a pencil, mark each piece of wood 6 inches in from the end. Slide each piece of wood into corner brackets where you marked the line as show in the Top View.

NOTE



You will notice the lumber is not a tight fit, this is intentional do to the fact that wood is not perfect. Wood will expand, contract and may come slightly twisted, the extra space will help in installation and overall life of the wood.

Keep wood centered in all brackets while tightening lag bolts.



STEP 3

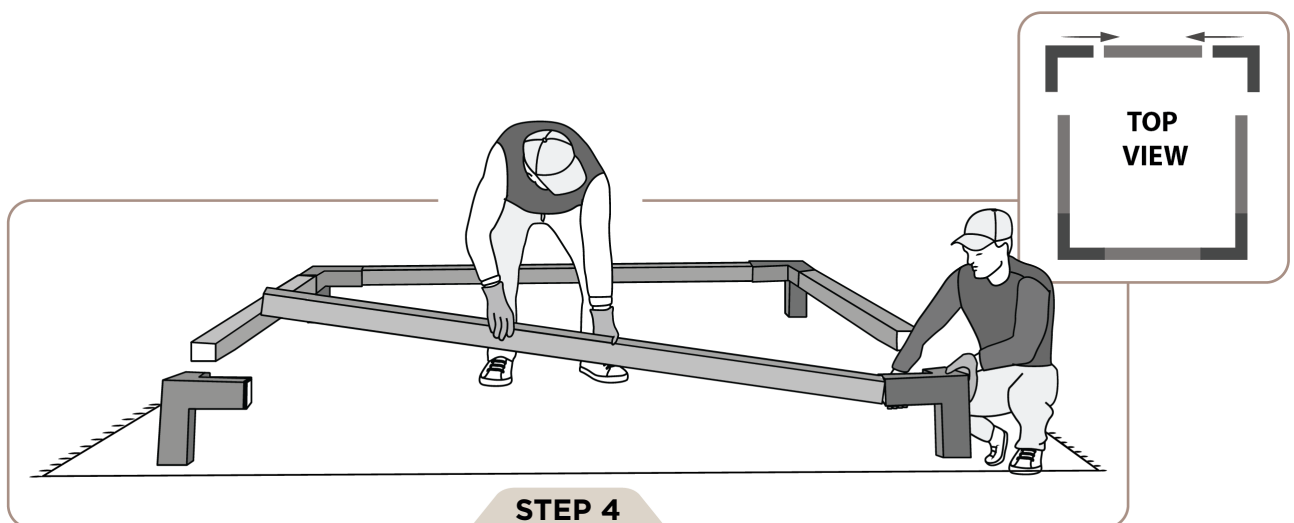
Using your drill and 1/8 inch bit, pre-drill the holes and then screw in lag bolts using a 7/16 inch socket wrench or socket drill bit. In the inner most bolts be sure to put in the sun shade mounting bracket. (See call-outs above)

NOTE

If building/combining more than one pergola refer to page **19** before moving on

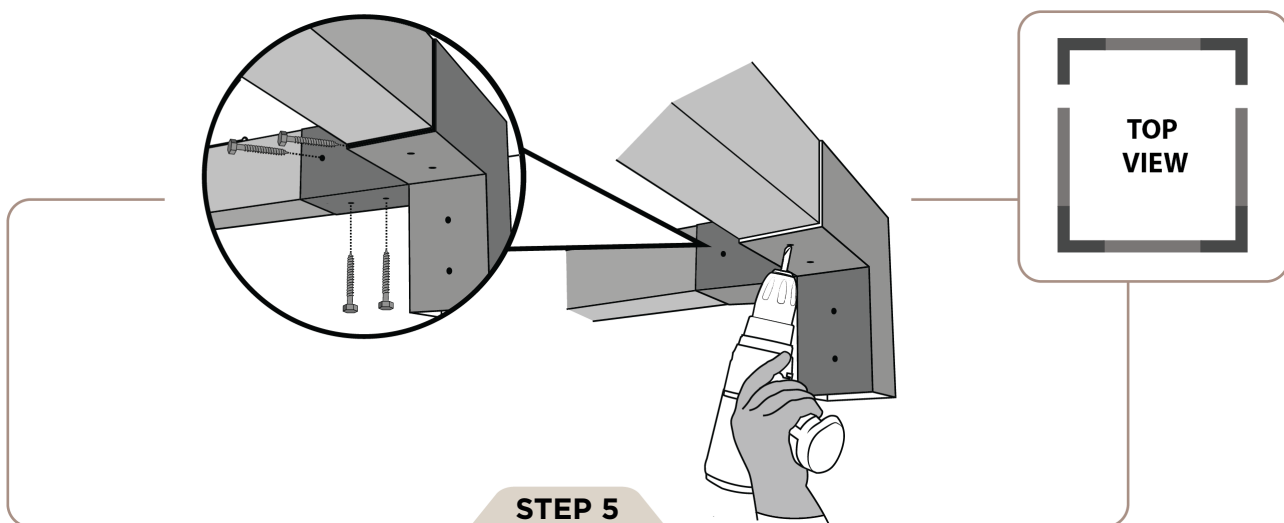
SUGGESTION

Please flip all pieces over for next steps.

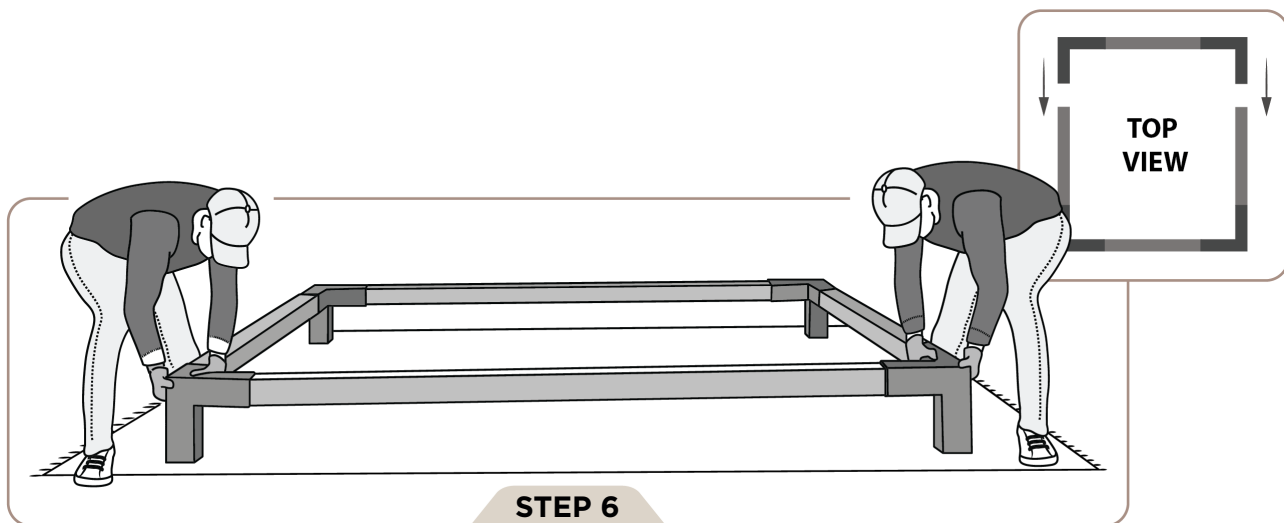


STEP 4

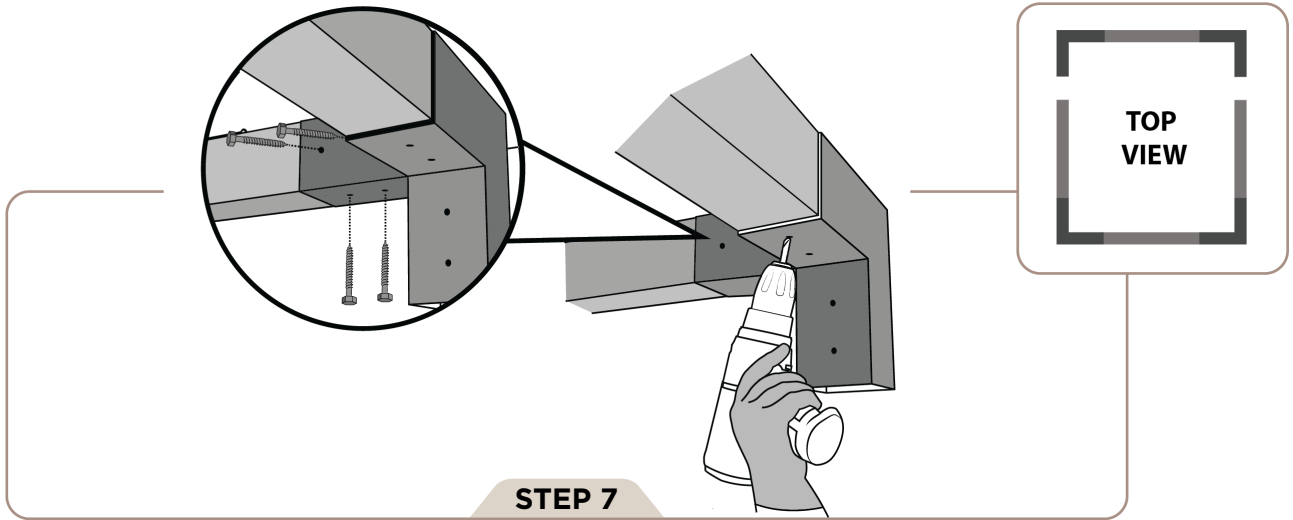
Slide remaining pieces of wood into the remaining corner bracket and repeat step above to secure corner pieces.



Using your drill and 1/8 inch bit, pre-drill the holes and then screw in lag bolts using a 7/16 inch socket wrench or socket drill bit.

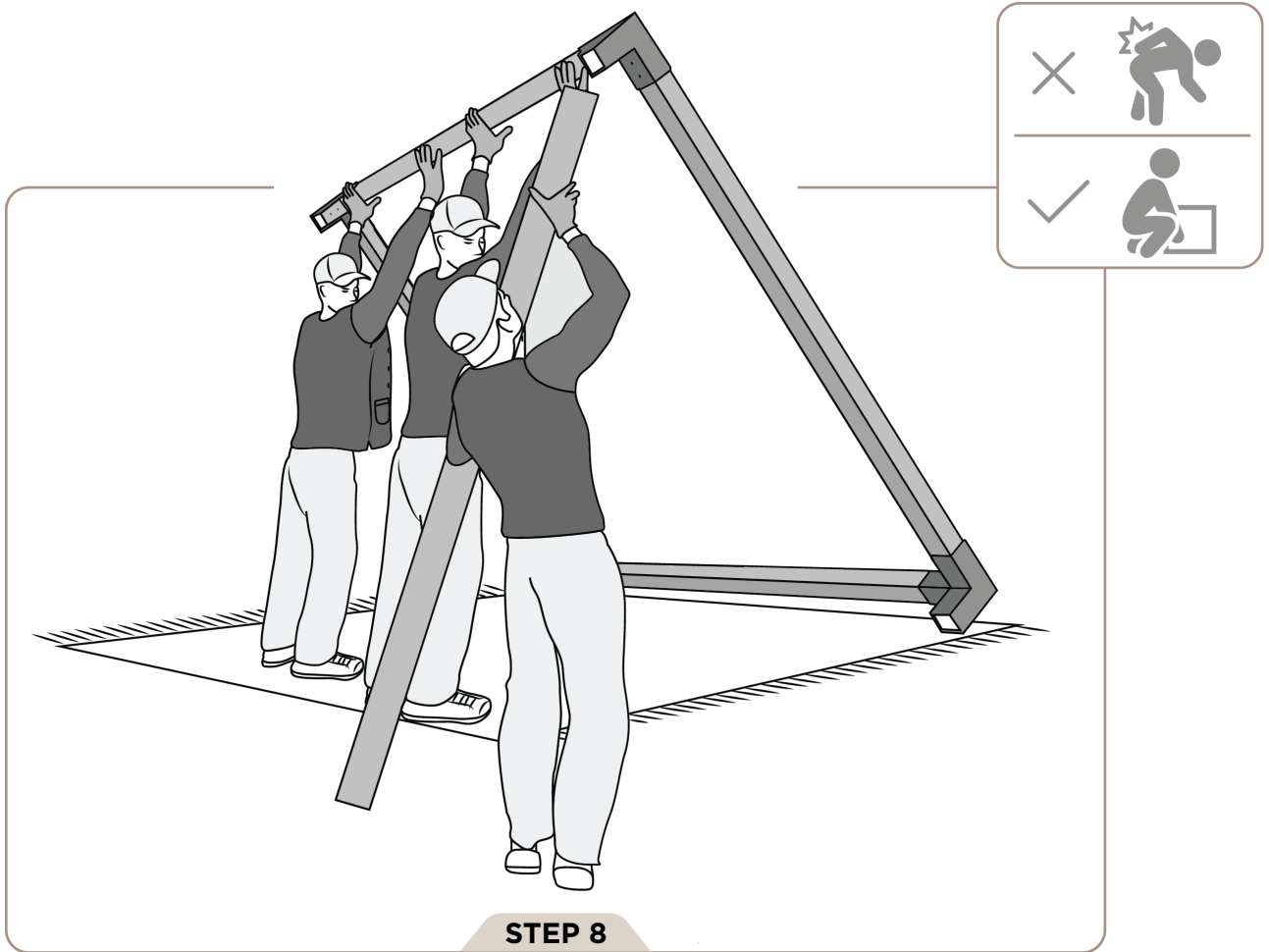


Fit two pieces together



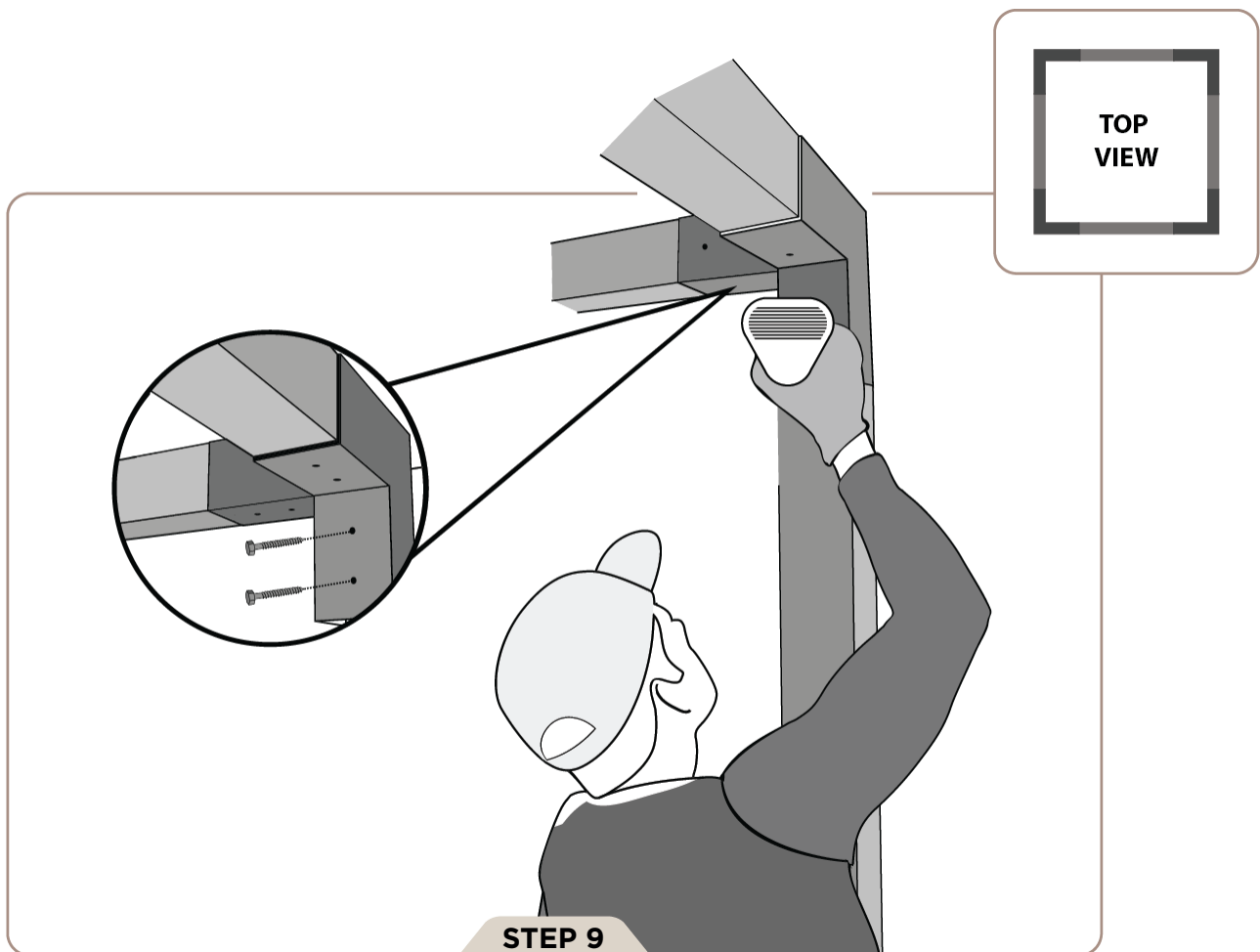
STEP 7

Using your drill and 1/8 inch bit, pre-drill the holes and then screw in lag bolts using a 7/16 inch socket wrench or socket drill bit.



STEP 8

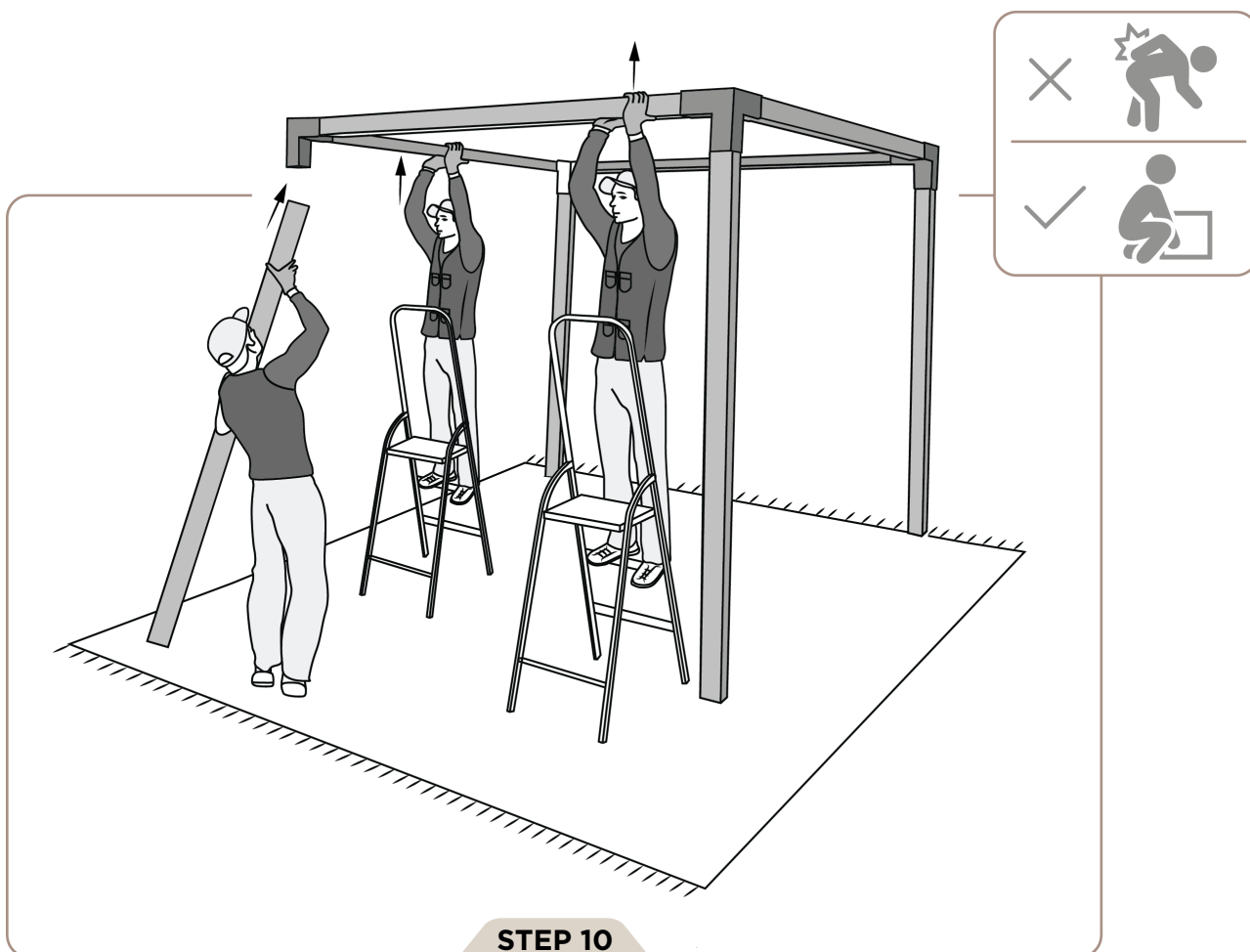
With the help of two other people raise one side of the roof as shown in step 8. Then insert the first leg into corner bracket. Install both legs on this side while propped up.



Using your drill and 1/8 inch bit, pre-drill the holes and then screw in lag bolts using a 7/16 inch socket wrench or socket drill bit.

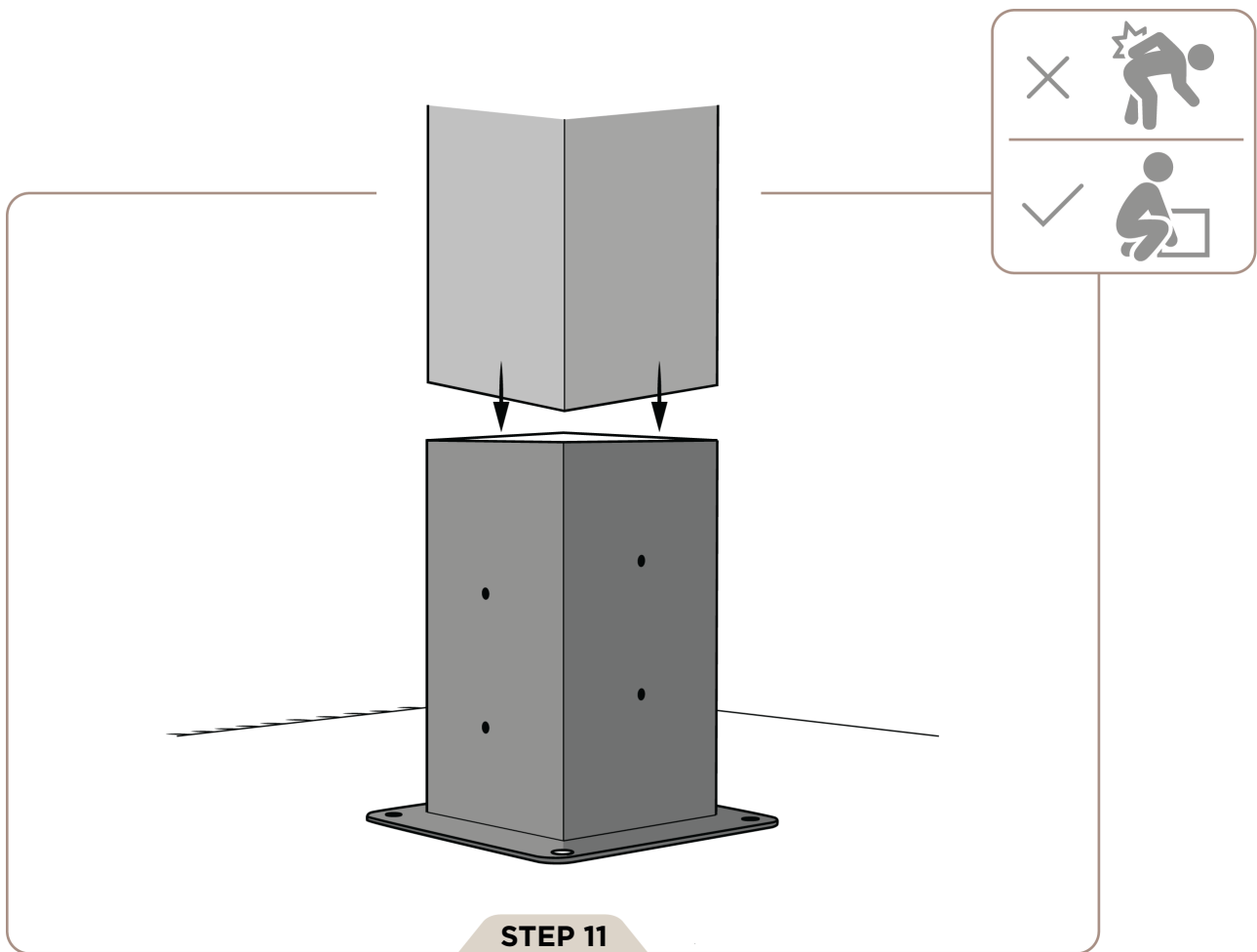
NOTE

If Wall mounting your pergola please refer to page **20** for alternate instructions.

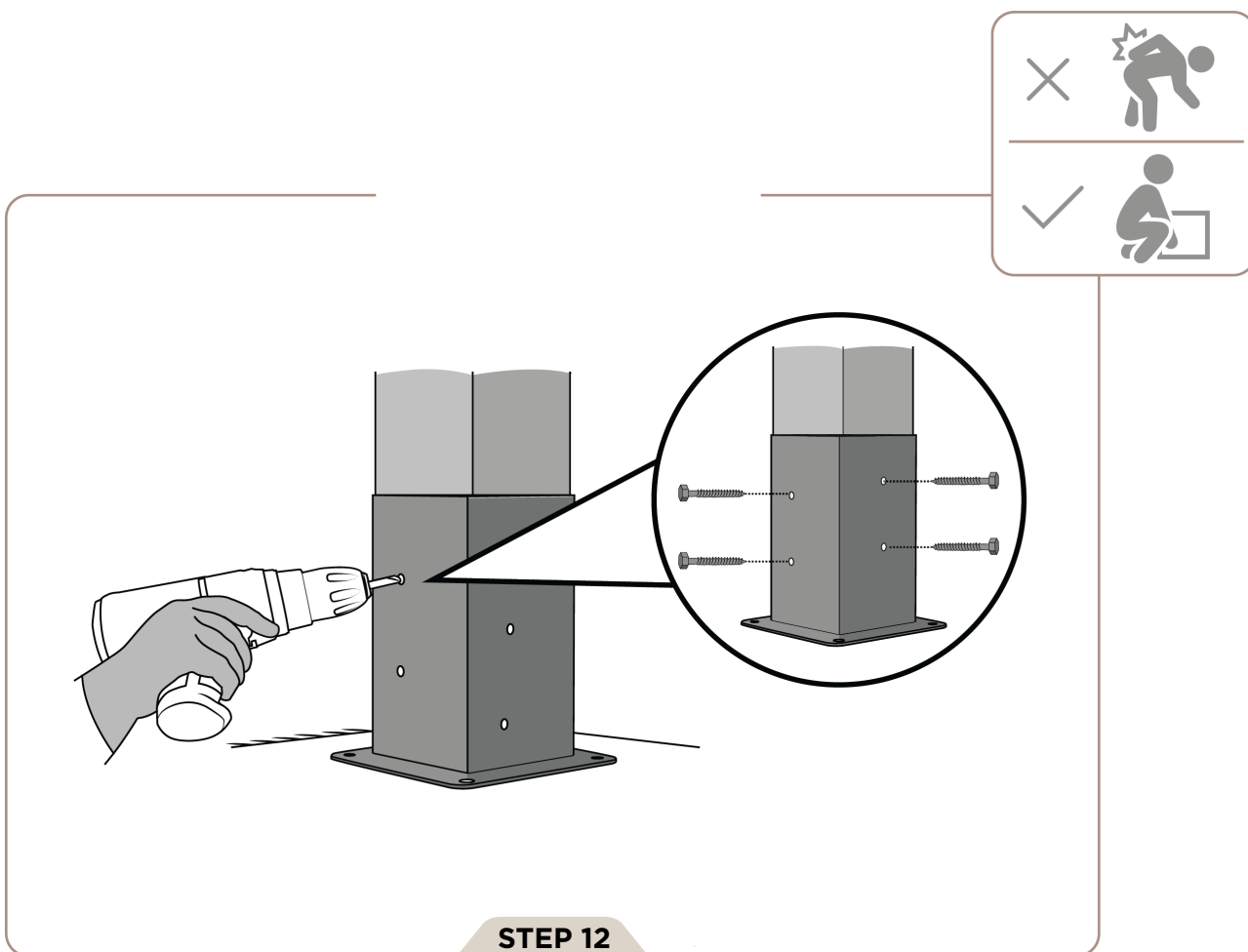


STEP 10

Install remaining legs and secure all remaining lag bolts.

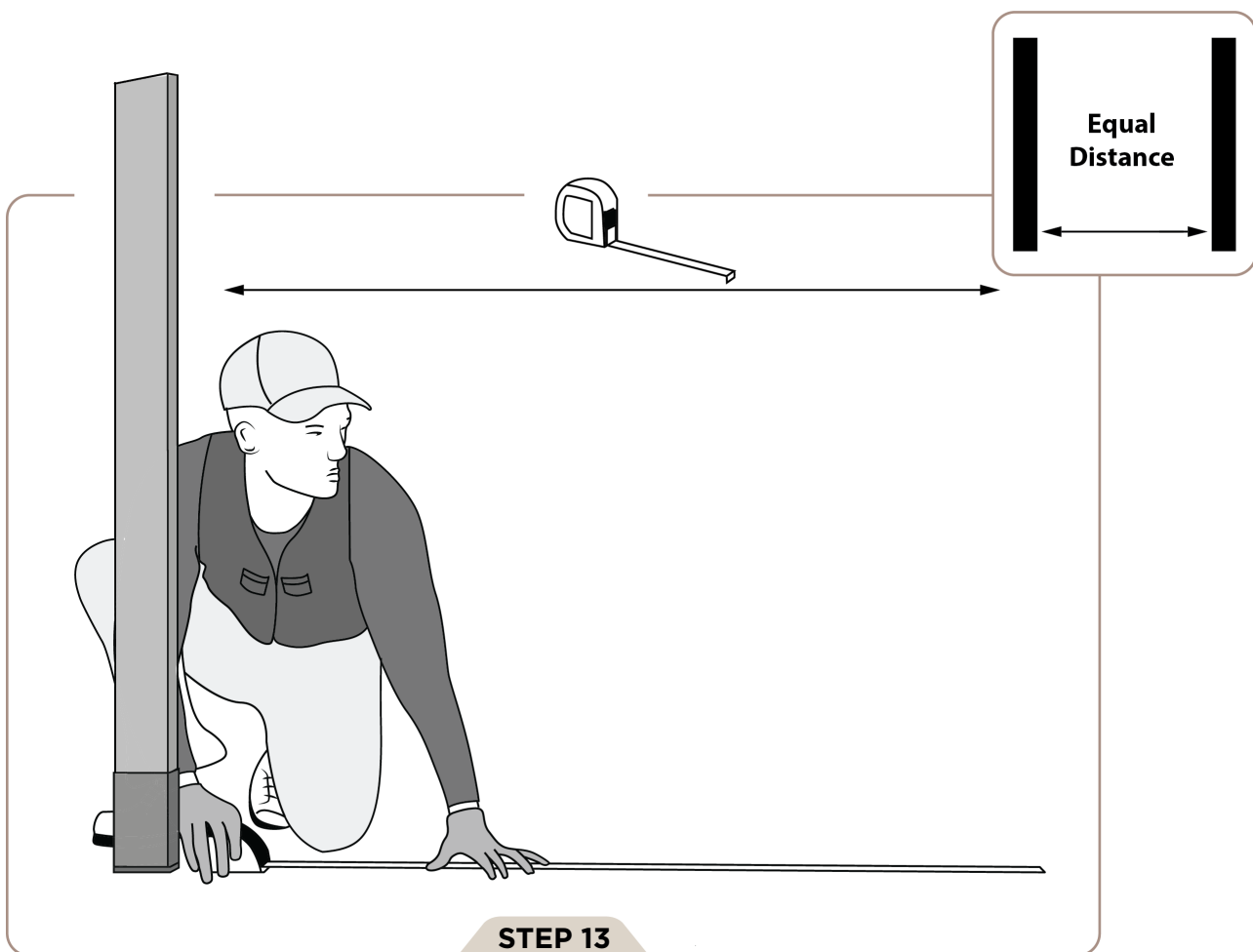


With help, raise each leg and slide into the boot brackets.

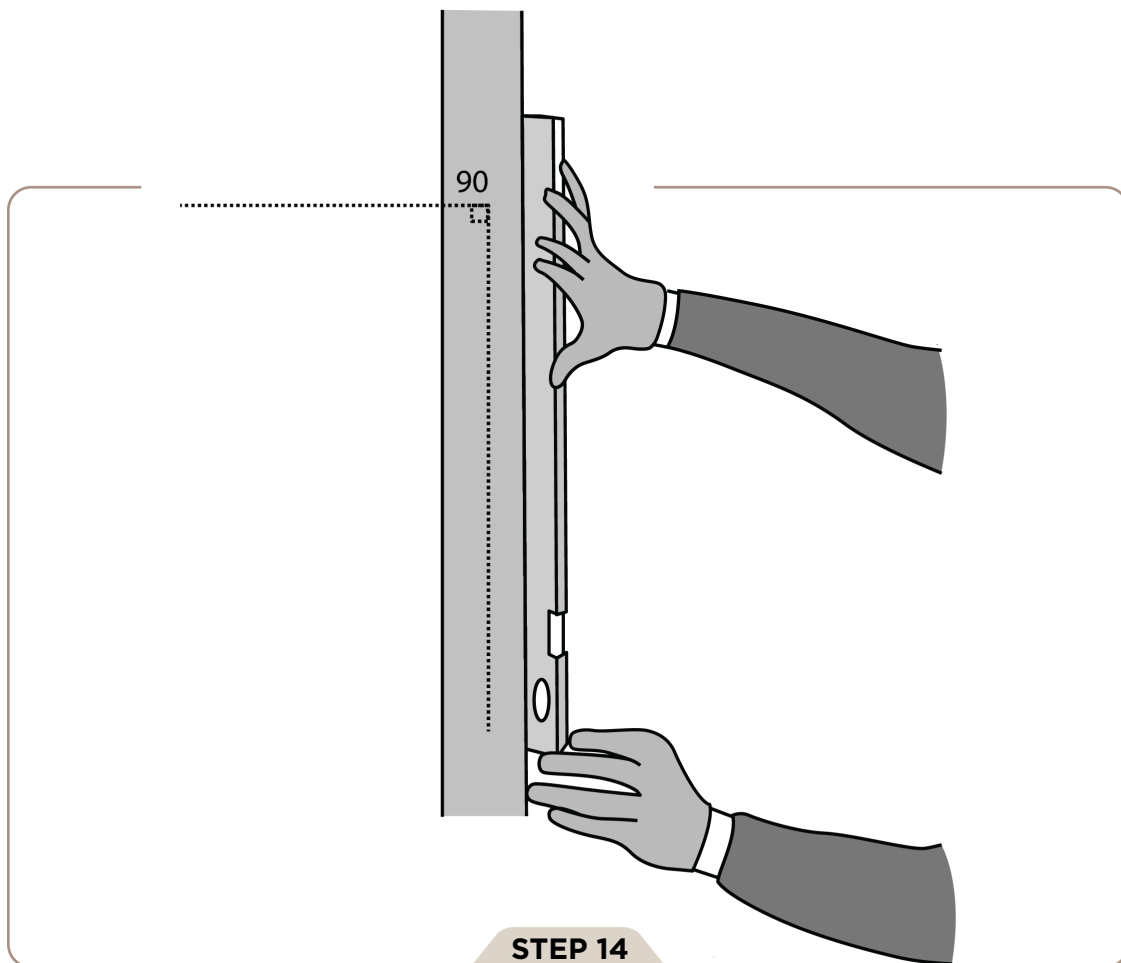


STEP 12

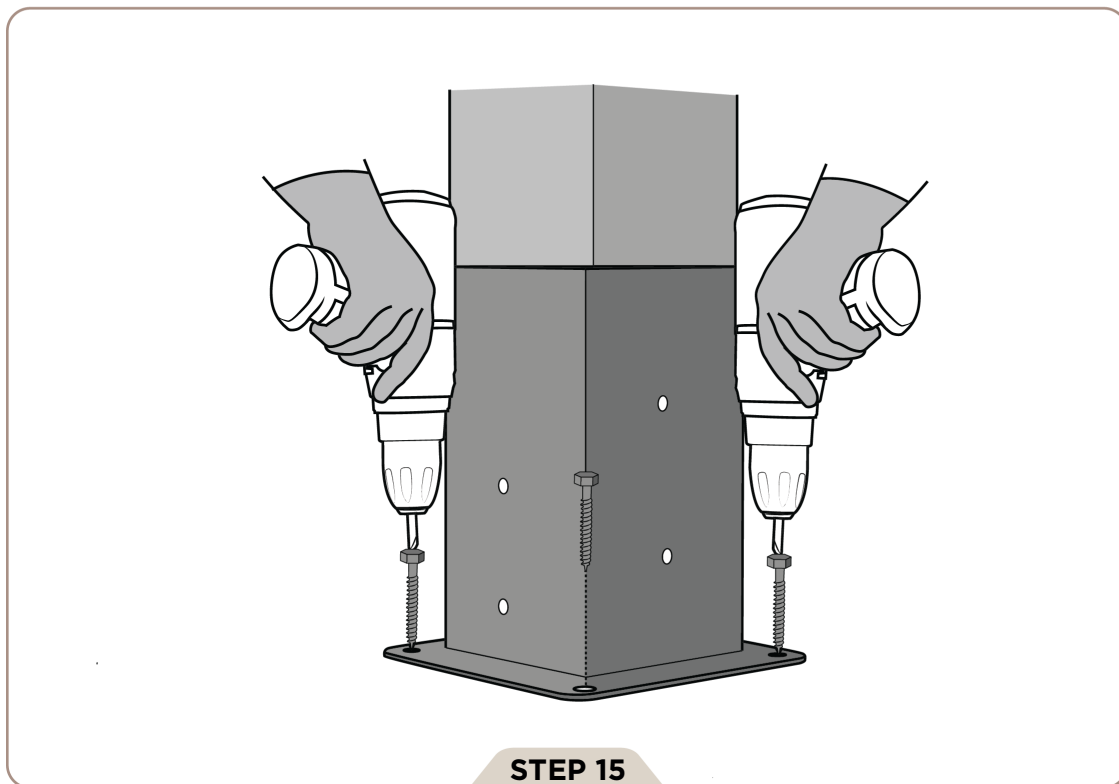
Using your drill and 1/8 inch bit, pre-drill the holes and then screw in lag bolts using a 7/16 inch socket wrench or socket drill bit.



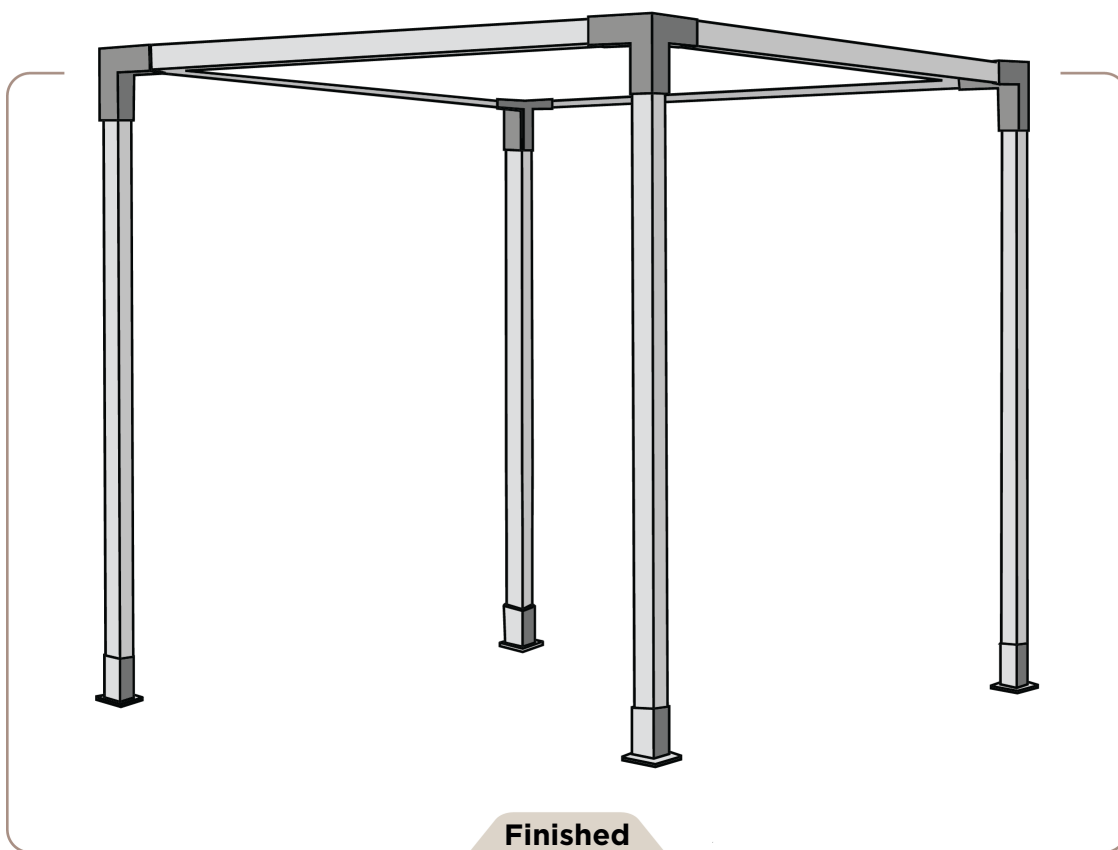
Make sure that your legs measure equal distance apart in preparation for securing to the ground.



Make sure legs are straight and at a 90° angle using a level.



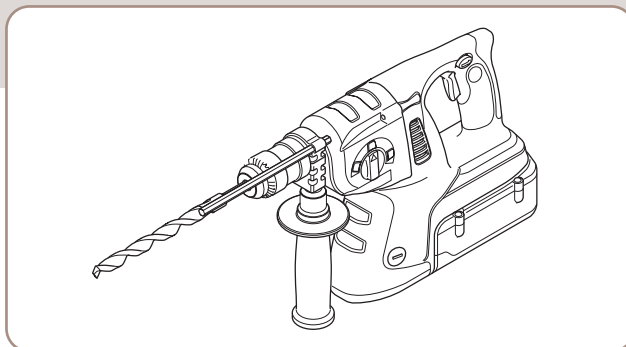
Secure boot bracket to ground using concrete, brick, stone, or wood bolts and adapters (not included in kit).



You've now completed your structure. Now you can dress it with lights, sunshades, or cross beams for your desired look. Congratulations on creating your own Valhalla!

“Your sacred space is where you can find yourself over and over again.”
 - Joseph Campbell.

Installation on a concrete, brick or stone will require additional tools and hardware. For example, drill bits for drilling into stone and mortar are different from standard drill bits, and you may need a heavy duty drill.



Masonry Drill

Consult with a local hardware store for the correct hardware and equipment to use.

*Share your project
with us
@bjornwoodworks*



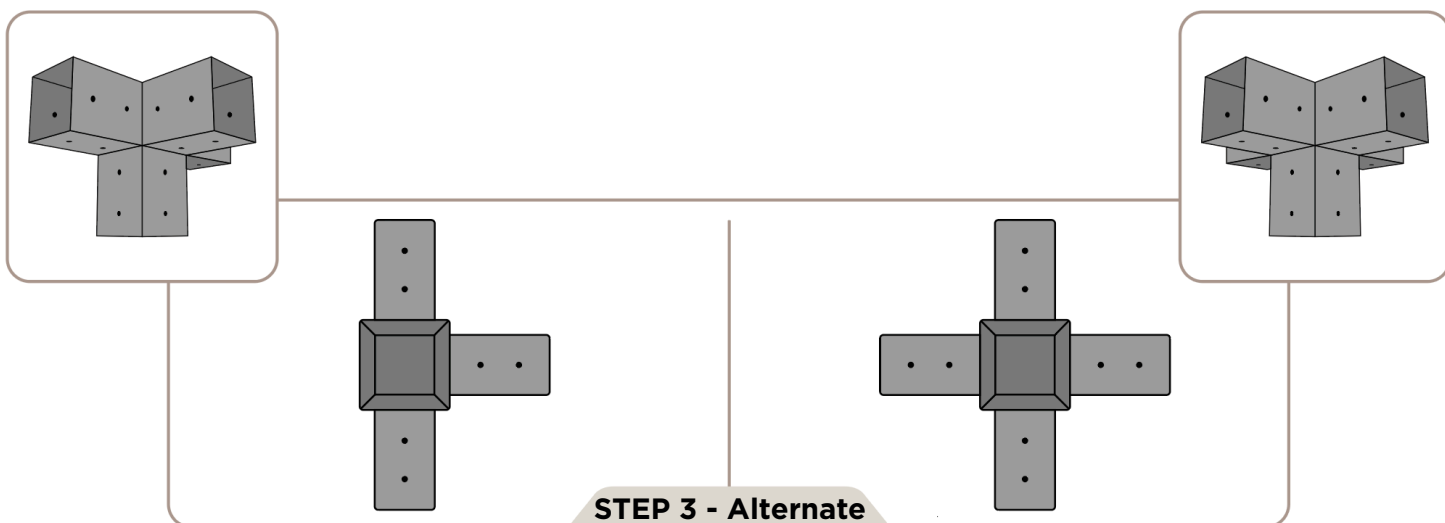
*More accessories
available at
bjornwoodworks.com*



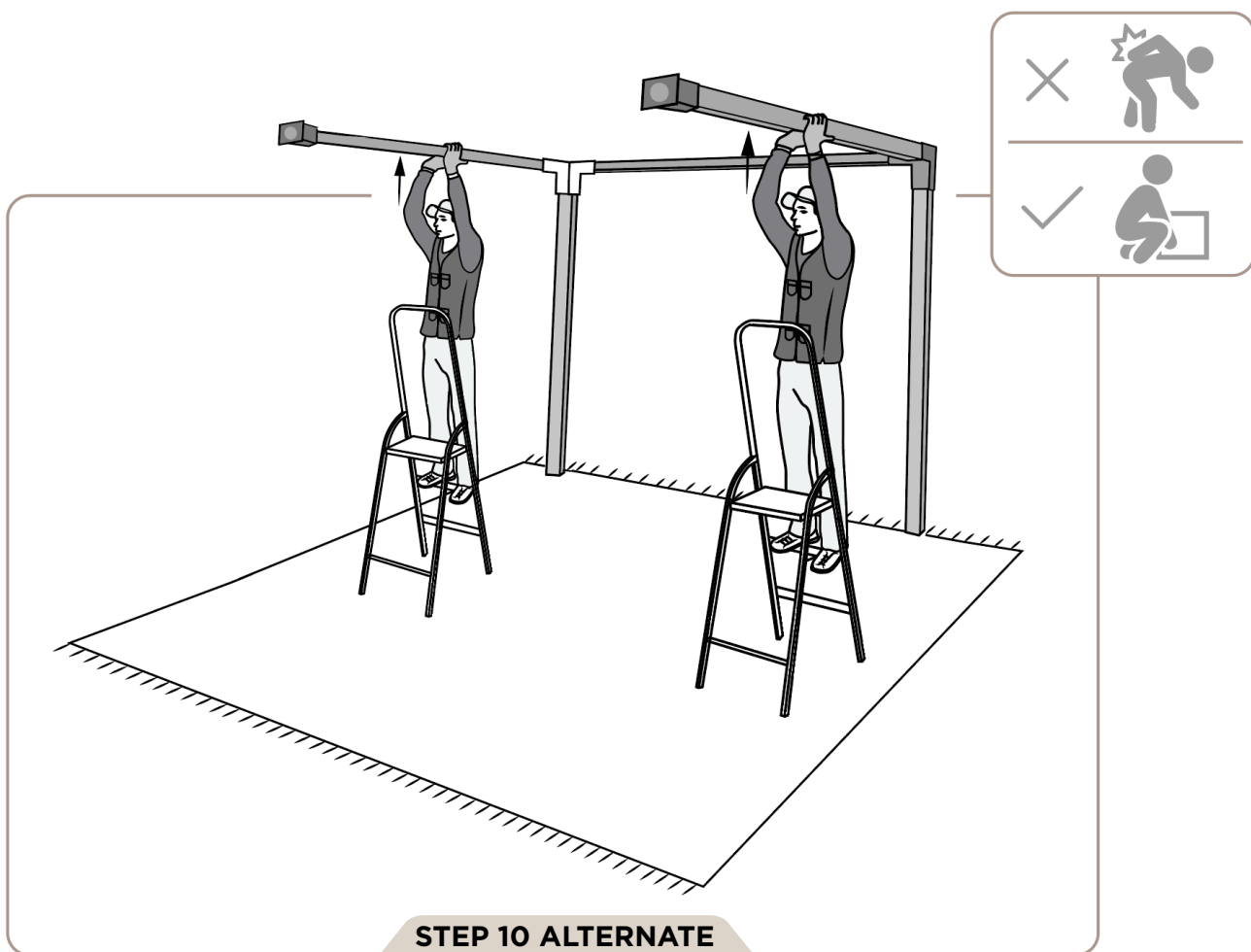
Follow us on social media
for inspiration



support@bjornwoodworks.com



If building/combining more than one pergola and using one of the brackets above. Install bracket in place of the shoulder bracket then continue on to step 4



Consult a contractor on how to install to your house or structure.